



CPD45/50F8

Electric Counterbalance Forklift Truck 4.5/5.0T

LION
TECHNOLOGY

- Large load with lithium battery;
- High strength, high reliability;
- Stable performance, super bearing capacity;
- Accord with ergonomics, comfortable operation.

www.trucksdirectuk.co.uk

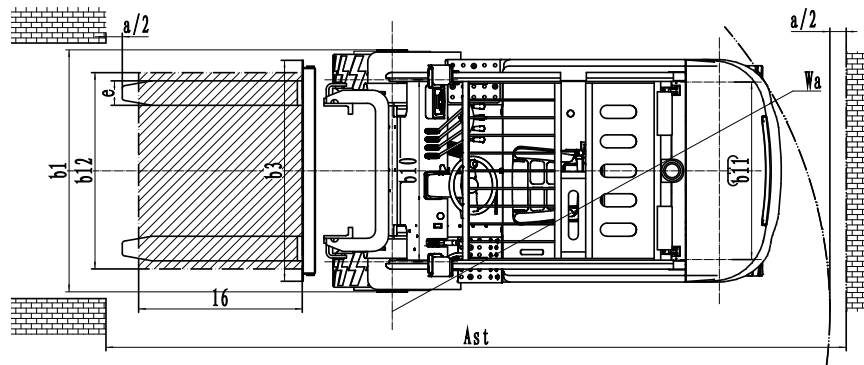
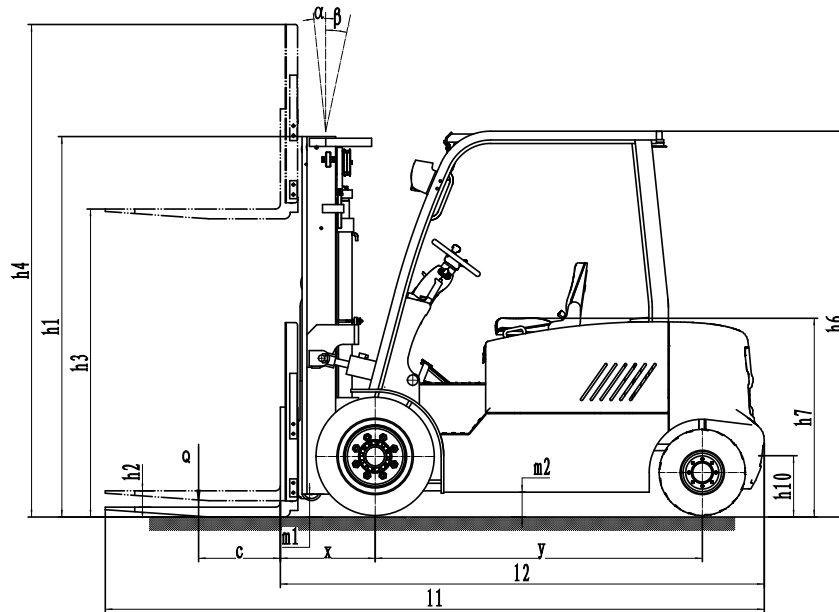


Electric Counterbalance Forklift Truck 4.5/5.0T

CPD45/50F8

| Distinguishing mark | | | | | |
|---------------------|---|---------------------------------|--------|------------------------|------------------------|
| 1.1 | Manufacturer | | | EP | EP |
| 1.2 | Model designation | | | CPD45F8 | CPD50F8 |
| 1.3 | Drive unit | | | Electrics | Electrics |
| 1.4 | Operator type | | | seated | seated |
| 1.5 | rated capacity | Q | kg | 4.5 | 5 |
| 1.6 | Load center distance | c | mm | 500 | 500 |
| 1.8 | Load distance, centre of drive axle to fork | x | mm | 548 | 548 |
| 1.9 | Wheelbase | y | mm | 2000 | 2000 |
| Weight | | | | | |
| 2.1 | Service weight (include battery) | | kg | 7150 | 7450 |
| 2.2 | Axle loading, laden driving wheels /steering wheels | | kg | 10915/1235 | 10965/1485 |
| 2.3 | Axle loading, unladen driving wheels /steering wheels | | kg | 3375/3775 | 3425/4025 |
| Types, Chassis | | | | | |
| 3.1 | Tyre type, driving wheels /steering wheels | | | solid rubber/Pneumatic | solid rubber/Pneumatic |
| 3.2 | Tyre size, driving wheels (diameter×width) | | mm | 28x12.5-15 | 28x12.5-15 |
| 3.3 | Tyre size, steering wheels (diameter×width) | | mm | 23X10-12 | 23X10-12 |
| 3.5 | Wheels, number driving/steering (x=drive wheels) | | mm | 2X/2 | 2X/2 |
| 3.6 | Tread, Driving wheels | b ₁₀ | mm | 1112 | 1262 |
| 3.7 | Tread, Steering wheels | b ₁₁ | mm | 1085 | 1085 |
| Dimensions | | | | | |
| 4.1 | Tilt of mast/fork carriage forward/backward | α/ β (°) | | 6/10 | 6/10 |
| 4.2 | Height, mast lowered | h ₁ | mm | 2250 | 2250 |
| 4.3 | Free lift (load backrest) | h ₂ | mm | 150 | 150 |
| 4.4 | Lift height | h ₃ | mm | 3000 | 3000 |
| 4.5 | Height, mast extended | h ₄ | mm | 4120 | 4120 |
| 4.7 | Height of overhead guard (cabin) | h ₆ | mm | 2353 | 2353 |
| 4.8 | Seat height | h ₇ | mm | 1208 | 1208 |
| 4.12 | Tow center of pin height | h ₁₀ | mm | 375 | 375 |
| 4.19 | Overall length | l ₁ | mm | 4027 | 4127 |
| 4.20 | Length to face of forks | l ₂ | mm | 2958 | 3058 |
| 4.21 | Overall width | b ₁ / b ₂ | mm | 1550 | 1550 |
| 4.22 | Fork dimensions | s/ e/ l | mm | 50X150X1070 | 55X150X1070 |
| 4.23 | Fork carriage class/type A, B | | | 3A | 3A |
| 4.24 | Fork carriage width | b ₃ | mm | 1350 | 1350 |
| 4.31 | Ground clearance, laden, below mast | m ₁ | mm | 130 | 130 |
| 4.32 | The minimum ground clearance of frame | m ₂ | mm | 140 | 140 |
| 4.34.1 | Aisle width for pallets 1000 × 1200 crossways | Ast | mm | 4424 | 4450 |
| 4.34.2 | Aisle width for pallets 800 × 1200 lengthways | Ast | mm | 4624 | 4650 |
| 4.35 | Turning radius | Wa | mm | 2675.5 | 2735.5 |
| Performance data | | | | | |
| 5.1 | Travel speed, laden/ unladen | | km/ h | 14/14.5 | 14/14.5 |
| 5.2 | Lifting speed, laden/ unladen | | m/ s | 0.26/0.45 | 0.26/0.45 |
| 5.3 | Lowering speed, laden/ unladen | | m/ s | 0.55/ 0.5 | 0.55/ 0.5 |
| 5.5 | Drawbar pull, laden/unladen | | N | — | — |
| 5.6 | Max. drawbar pull, laden/unladen (time) | | N | 26000 | 26000 |
| 5.7 | Gradeability, laden/unladen | | % | — | — |
| 5.8 | Max. gradeability, laden/unladen | | % | 14/15 | 14/15 |
| 5.10 | Service brake type | | | hydraulic/Mechanical | hydraulic/Mechanical |
| | park brake type | | | Mechanical | Mechanical |
| Electric engine | | | | | |
| 6.1 | Drive motor rating S2 60 min | | kW | 16.6 | 16.6 |
| 6.2 | Lift motor rating at S3 15% | | kW | 25.4 | 25.4 |
| 6.3 | The maximum allowed size battery | | mm | — | — |
| 6.4 | Battery voltage/nominal capacity K5 | | V/ Ah | 80/540 | 80/540 |
| 6.5 | Battery weight | | kg | 405 | 405 |
| Addition data | | | | | |
| 8.1 | Type of drive unit | | | AC | AC |
| 10.5 | Steering type | | | — | — |
| 10.7 | Sound pressure level at the driver's ear | | dB (A) | 70 | 70 |

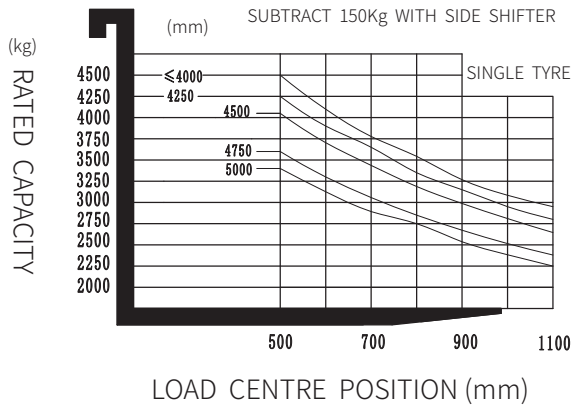
If there are improvements of technical parameters or configurations, no further notice will be given.
The diagram shown may contain non-standard configurations.



Mast Option

| Type | Model | Max. fork height | Overall height | | | | Free lift | | | | Tilt range | | Capacity | |
|----------------------------|-------|------------------|----------------|------------------|---------------|------------------|---------------|----------------|-----|-----|------------|-------------------------------------|----------|----|
| | | | Lowered | Extended | | Without backrest | With backrest | Front Overhang | | FWD | BWD | Load capacity at 500 mm single tire | | |
| | | | | Without backrest | With backrest | | | 4.5t | 5t | | | 4.5t | 5t | |
| | | | | | | | | | | | | | | mm |
| Wide view mast | 2W250 | 2500 | 1983 | 3219 | 3656 | 150 | 150 | 548 | 548 | 6 | 10 | 4500 | 5000 | |
| | 2W270 | 2700 | 2083 | 3419 | 3856 | 150 | 150 | 548 | 548 | 6 | 10 | 4500 | 5000 | |
| | 2W300 | 3000 | 2233 | 3719 | 4156 | 150 | 150 | 548 | 548 | 6 | 10 | 4500 | 5000 | |
| | 2W330 | 3300 | 2383 | 4019 | 4456 | 150 | 150 | 548 | 548 | 6 | 10 | 4500 | 5000 | |
| | 2W350 | 3500 | 2483 | 4219 | 4656 | 150 | 150 | 548 | 548 | 6 | 10 | 4500 | 5000 | |
| | 2W370 | 3700 | 2583 | 4419 | 4856 | 150 | 150 | 548 | 548 | 6 | 10 | 4450 | 4950 | |
| | 2W400 | 4000 | 2733 | 4719 | 5156 | 150 | 150 | 548 | 548 | 6 | 10 | 4250 | 4750 | |
| | 2W425 | 4250 | 2858 | 4969 | 5406 | 150 | 150 | 548 | 548 | 6 | 6 | 4050 | 4550 | |
| | 2W450 | 4500 | 2983 | 5219 | 5656 | 150 | 150 | 548 | 548 | 6 | 6 | 3800 | 4250 | |
| | 2W475 | 4750 | 3108 | 5469 | 5906 | 150 | 150 | 548 | 548 | 6 | 6 | 3400 | 3780 | |
| 2W500 | 5000 | 3233 | 5719 | 6156 | 150 | 150 | 548 | 548 | 6 | 6 | 3150 | 3500 | | |
| wide viewfull 2-stage mast | 2F260 | 2610 | 2123 | 3398 | 3786 | 1341 | 995 | 569 | 569 | 6 | 10 | 4500 | 5000 | |
| | 2F270 | 2710 | 2173 | 3498 | 3886 | 1391 | 1045 | 569 | 569 | 6 | 10 | 4500 | 5000 | |
| | 2F300 | 3000 | 2318 | 3788 | 4176 | 1536 | 1190 | 569 | 569 | 6 | 10 | 4500 | 5000 | |
| | 2F330 | 3300 | 2468 | 4088 | 4476 | 1686 | 1340 | 569 | 569 | 6 | 10 | 4500 | 5000 | |
| | 2F350 | 3500 | 2568 | 4288 | 4676 | 1786 | 1440 | 569 | 569 | 6 | 10 | 4500 | 4950 | |
| | 2F400 | 4000 | 2818 | 4788 | 5176 | 2036 | 1690 | 569 | 569 | 6 | 10 | 3900 | 4650 | |
| wide viewfull 3-stage mast | 3F400 | 4000 | 2153 | 4758 | 5161 | 1371 | 1025 | 599 | 599 | 6 | 10 | 4500 | 4750 | |
| | 3F435 | 4350 | 2268 | 5108 | 5511 | 1486 | 1140 | 599 | 599 | 6 | 6 | 3750 | 4150 | |
| | 3F450 | 4500 | 2318 | 5258 | 5661 | 1536 | 1190 | 599 | 599 | 6 | 6 | 3600 | 4000 | |
| | 3F480 | 4800 | 2418 | 5558 | 5961 | 1636 | 1290 | 599 | 599 | 6 | 6 | 3350 | 3750 | |
| | 3F500 | 5000 | 2483 | 5758 | 6161 | 1701 | 1355 | 599 | 599 | 6 | 6 | 3150 | 3500 | |
| | 3F550 | 5500 | 2653 | 6258 | 6661 | 1871 | 1525 | 599 | 599 | 3 | 6 | 2550 | 2850 | |
| | 3F600 | 6000 | 2818 | 6758 | 7161 | 2036 | 1690 | 599 | 599 | 3 | 6 | 1950 | 2200 | |

RATED CAPACITIES AND LOAD CENTERES GRAPH



RATED CAPACITIES AND LOAD CENTERES GRAPH

