



EST 124

Electric Stacker 1.2T

- Safety and stability assurance
- Integrated charger for charging convenience
- Available with lifting height up to 3.6m
- Market-proven components

FEATURES

Safety and stability assurance

EST 124 features a metal cover and strong chassis and greatly reduces stress and deformation caused by a heavy load.



Market-proven components

EST 124 is a hybrid composed of a tiller head, drive unit and hydraulic system taken from EP best-sellers so all components are reliable and easy for part management.



Available with lifting height up to 3.6m

This stacker covers all your light lifting and stacking tasks in warehouses especially for medium height rack system from 2.5m to 3.6m.



Integrated charger for charging convenience

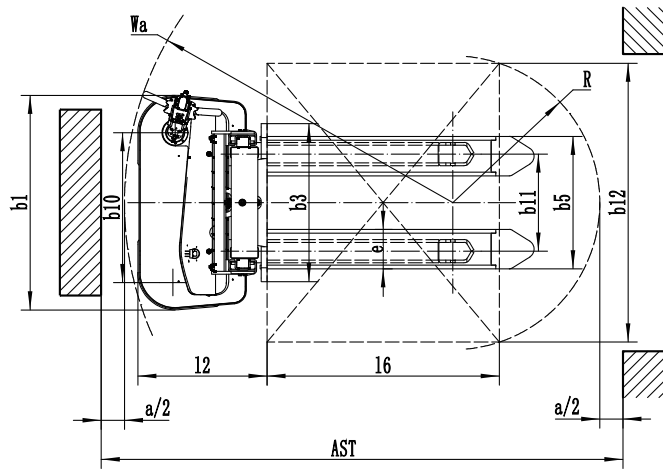
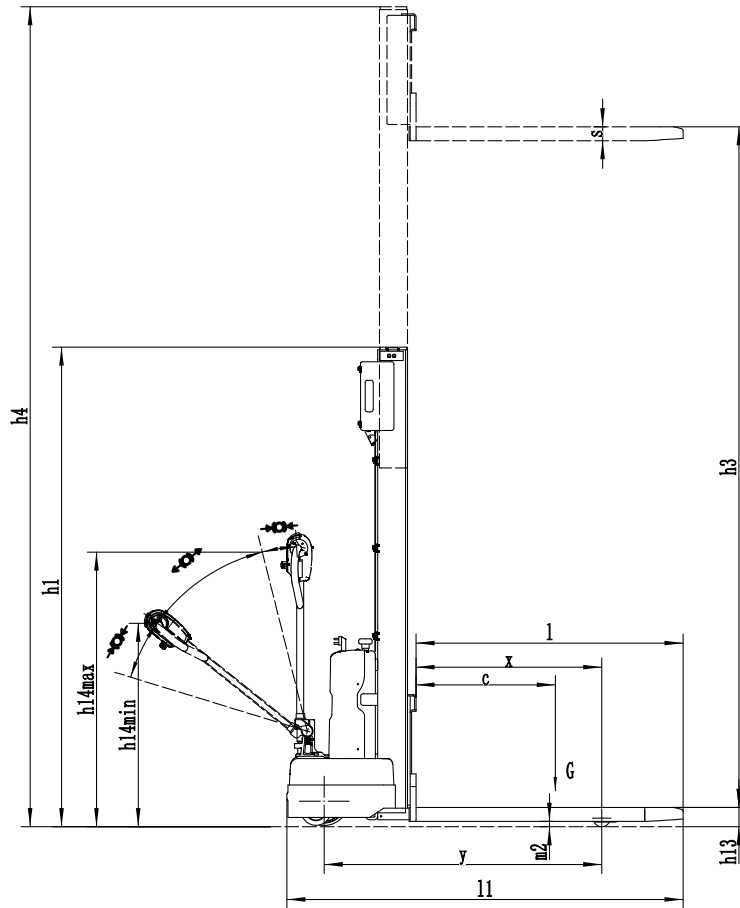
EST 124 comes with an 24V/10A integrated charger and a 24V/80Ah AGM battery, providing charging convenience and flexibility for daily usage.



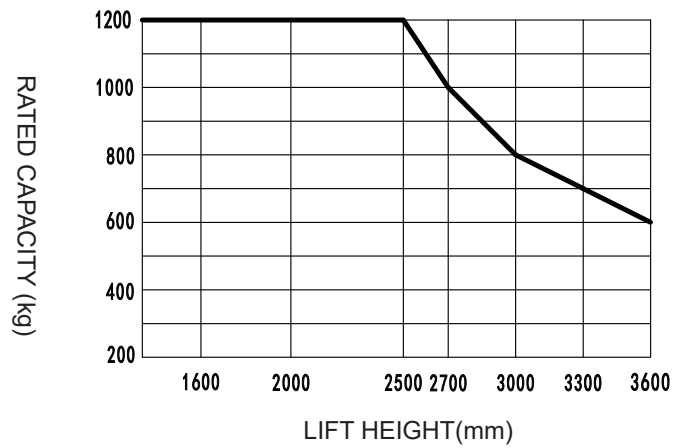
Electric Stacker 1.2T

EST 124

Distinguishing mark	1.1	Manufacturer			EP
	1.2	Model designation			EST124
	1.3	Drive			Electric
	1.4	Operator type			Pedestrian
	1.5	Load capacity	Q	kg	1200
	1.5.1	Load capacity, load with mast lift	Q1	kg	—
	1.5.2	Load capacity, load with support arm lift	Q2	kg	—
	1.6	Load center distance	c	mm	600
	1.8	Load distance, centre of drive axle to fork	x	mm	800
Service weight	1.9	Wheelbase	y	mm	1195
	2.1	Service weight		kg	470
	2.2	Axle loading, laden front/rear		kg	520/1150
Tyres/chassis	2.3	Axle loading, unladen front/rear		kg	345/125
	3.1	Tyre type			Polyurethane
	3.2.1	Tyre size, front		mm	Ø210×70
	3.3.1	Tyre size, rear		mm	Ø74×72
	3.4	Additional wheels (castor wheels)		mm	Ø130×55
	3.5	Wheels, number front/rear (x=drive wheels)		mm	1x , 1/2
	3.6.1	Tread width, front	b10	mm	645
	3.7.1	Tread width, rear	b11	mm	418
	Dimensions	4.0	Max. Lift Height	H	mm
4.2		Retracted mast height	h1	mm	2067
4.3		Free lift	h2	mm	—
4.4		Lift height	h3	mm	2930
4.5		Height, mast extended	h4	mm	3532
4.6		Initial lift	h5	mm	—
4.9		Height of tiller handle in drive position min./max.	h14	mm	760/1140
4.10		Height of wheel arms	h8	mm	—
4.15		Lowered height	h13	mm	90
4.19		Overall length	l1	mm	1706
4.20		Length to face of forks	l2	mm	556
4.21		Overall width	b1/b2	mm	925
4.22		Fork dimensions	s/e/l	mm	60/170/1150
4.24		Fork carriage width	b3	mm	680
4.25		Distance between fork-arms	b5	mm	570
4.26		Distance between wheel arms/loading surfaces	b4	mm	—
4.31		Ground clearance, laden, below mast	m1	mm	—
4.32		Ground clearance, center of wheelbase	m2	mm	23
Performance data		4.34.1	Aisle width for pallets 1000×1200 crossways	Ast	mm
	4.34.2	Aisle width for pallets 800×1200 lengthways	Ast	mm	2180
	4.35	Turning radius	Wa	mm	1415
	5.1	Travel speed, laden/unladen		km/ h	4.0/4.5
	5.2	Lifting speed, laden/unladen		m/s	0.10/0.15
	5.3	Lowering speed, laden/unladen		m/s	0.12/0.10
	5.8	Max. gradeability, laden/unladen		%	3/10
Electric-engine	5.10	Service brake			Electromagnetic
	6.1	Drive motor rating S2 60 min		kW	0.75
	6.2	Lift motor rating at S3 15%		kW	2.2
	6.4	Battery voltage/nominal capacity		V/Ah	24V/80Ah
	6.5	Battery weight		kg	38
	6.6	Energy consumption according to DIN EN 16796		kWh/h	0.57
	6.7	Turnover output according to VDI 2198		t/h	31.2
	6.8	Turnover efficiency according to VDI 2198		t/kWh	51
Addition data	8.1	Type of drive control			DC
	10.5	Steering design			Mechanical
	10.7	Sound pressure level at the driver's ear		dB(A)	74
	15.1	Charger output current		A	10



RATDE CAPACITIES GRAPH



Mast Option:

Mast types	Lift height h3+h13 (mm)	Height, mast lowered h1 (mm)	Free lift h2 (mm)	Height, mast extended h4 (mm)
2-Standard Mast	2513	1817	—	3032
	2713	1917	—	3232
	3013	2067	—	3532
	3313	2217	—	3832
	3613	2367	—	4132

Option:

No.	Optional items	EST124
1.1	Fork dimension	●570*1150○685*1150○570*1000○685*1000○570*1220○685*1220
1.4	Fork carriage width	●680○770mm
2.1	Load wheel type	●Single
2.2	Load wheel material	●PU
2.3	Drive wheel material	●PU
2.7	Battery capacity	●80Ah(AGM)
2.8	Charger	●24V-10A integrated(AGM)
2.9	Battery indicator	●Without time
2.16	handle head type	●Hands small handle head
3.3	Castor wheels	●Yes and not customized
3.16	Turtle speed	●Yes and not customized

Note: ●Standard ○ Optional - Inconformity