



# Greenpower Eco 25

Electric Counterbalance Forklift Truck 2.5T

**LI-ION**  
TECHNOLOGY

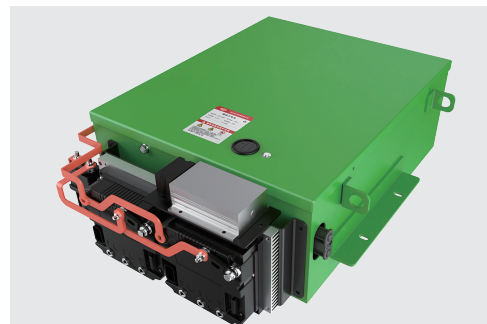
- Compact size
- High strength components
- Lithium-ion technology
- Telematics
- Low TCO
- Built-in on board charger
- IPX4 rated weatherproof for indoor and outdoor usage

**CE**

# FEATURE

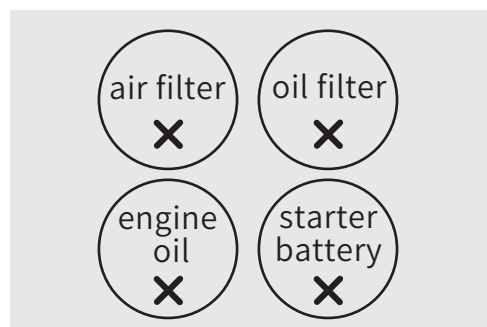
## Lithium-ion technology

Greenpower Eco 25 adapts LFP Li-ion battery that prevents the battery from self-ignition and ensures safety operation. It supports opportunity charging so it can be charged at preferable time during the day without disrupting working schedules.



## Low TCO

Comparing to a diesel forklift truck, Greenpower Eco 25 saves 30%-50% of energy cost with li-ion technology. And there is no maintenance fee with no air filter, oil filter, engine oil or starter battery installed on the truck.



## Compact size

The overall length of Greenpower Eco 25 is 3573 mm that is 5% more compacted in size than a regular IC forklift to be used in narrow aisle.



## IPX4 rated water-protected design

The Greenpower Eco 25 is IPX4 rated and that protects the trucks from splash of water from different angles. The water-proofed design allows the trucks to be operated outdoors, even in the rain.



## Telematics

EFL252 offers the latest Telematics. It provides the following features to facilitate your fleet management:

- Truck location in real-time
- Reports of truck usages and diagnosis
- Li-ion battery condition analytics
- Updates on card access registration

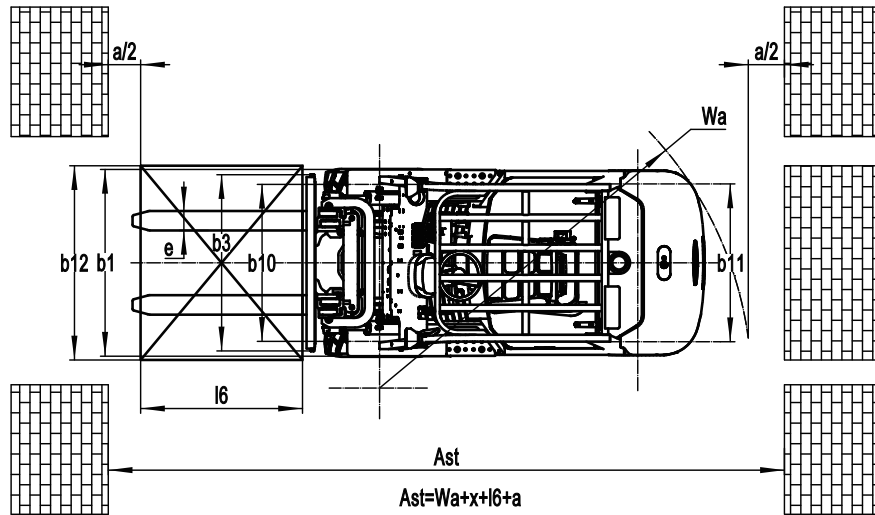
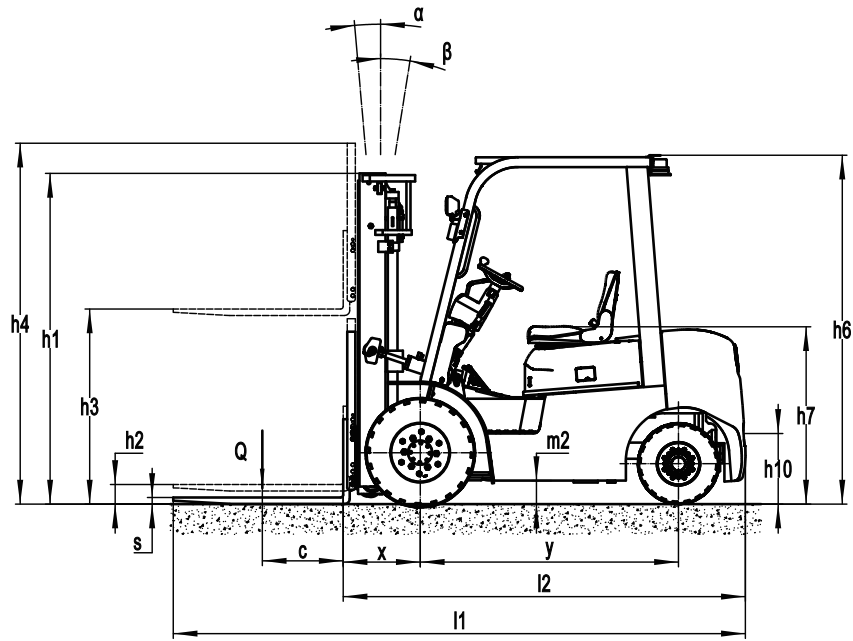


# Electric Counterbalance Forklift Truck 2.5T

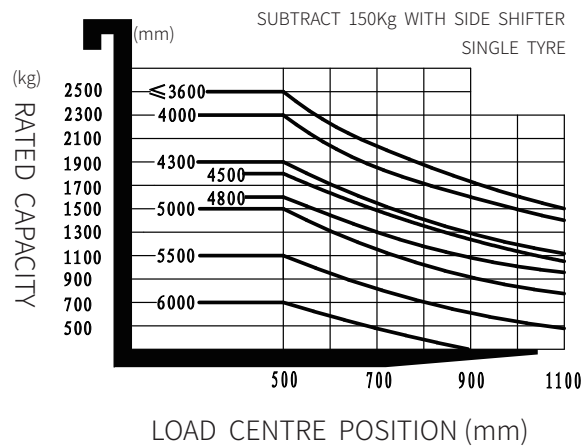
## Greenpower Eco 25

|                     |                |   |                |            |              |
|---------------------|----------------|---|----------------|------------|--------------|
| Distinguishing mark | 1.1            | Manufacturer                                |                |            | Greenpower   |
|                     | 1.2            | Model designation                           |                |            | Eco 25       |
|                     | 1.3            | Drive                                       |                |            | Electric     |
|                     | 1.4            | Operator type                               |                |            | Seated       |
|                     | 1.5            | Load capacity                               | Q              | kg         | 2500         |
|                     | 1.6            | Load center distance                        | c              | mm         | 500          |
|                     | 1.8            | Load distance, centre of drive axle to fork | x              | mm         | 495          |
|                     | 1.9            | Wheelbase                                   | y              | mm         | 1595         |
|                     | Service weight | 2.1   | Service weight |            |              |
| 2.2                 |                | Axle loading, laden front/rear              |                | kg         | 5530/800     |
| 2.3                 |                | Axle loading, unladen front/rear            |                | kg         | 1480/2350    |
| Tyres/chassis       | 3.1            | Tyre type                                   |                |            | Solid rubber |
|                     | 3.2            | Tyre size, front                            |                |            | 7.00-12      |
|                     | 3.3            | Tyre size, rear                             |                |            | 6.00-9       |
|                     | 3.5            | Wheels, number front/rear (x=drive wheels)  |                | mm         | 2x/ 2        |
|                     | 3.6            | Tread width, front                          | b10            | mm         | 970          |
|                     | 3.7            | Tread width, rear                           | b11            | mm         | 975          |
| Dimensions          | 4.1            | Tilt of mast/fork carriage forward/backward | $\alpha/\beta$ | °          | 6/ 10        |
|                     | 4.2            | Retracted mast height                       | h1             | mm         | 2060         |
|                     | 4.3            | Free lift                                   | h2             | mm         | 140          |
|                     | 4.4            | Lift height                                 | h3             | mm         | 3000         |
|                     | 4.5            | Height, mast extended                       | h4             | mm         | 4050         |
|                     | 4.7            | Height of overhead guard (cabin)            | h6             | mm         | 2160         |
|                     | 4.8            | Seat height/standing height                 | h7             | mm         | 1095         |
|                     | 4.12           | Tow coupling height                         | h10            | mm         | 435          |
|                     | 4.19           | Overall length                              | l1             | mm         | 3573         |
|                     | 4.20           | Length to face of forks                     | l2             | mm         | 2503         |
|                     | 4.21           | Overall width                               | b1/b2          | mm         | 1154         |
|                     | 4.22           | Fork dimensions                             | s/e/l          | mm         | 40×122×1070  |
|                     | 4.23           | A,B Fork carriage class/type A, B           |                |            | 2A           |
|                     | 4.24           | Fork carriage width                         | b3             | mm         | 1090         |
|                     | 4.31           | Ground clearance, laden, below mast         | m1             | mm         | 100          |
|                     | 4.32           | Ground clearance, center of wheelbase       | m2             | mm         | 150          |
|                     | 4.34.1         | Aisle width for pallets 1000×1200 crossways | Ast            | mm         | 3985         |
|                     | 4.34.2         | Aisle width for pallets 800×1200 crossways  | Ast            | mm         | 4195         |
|                     | 4.35           | Turning radius                              | Wa             | mm         | 2290         |
| Performance data    | 5.1            | Travel speed, laden/unladen                 |                | km/h       | 11/12        |
|                     | 5.2            | Lifting speed, laden/unladen                |                | m/s        | 0.28/0.37    |
|                     | 5.3            | Lowering speed, laden/unladen               |                | m/s        | 0.45/0.5     |
|                     | 5.5            | Drawbar pull, laden/unladen                 |                | N          | —            |
|                     | 5.6            | Max. drawbar pull, laden/unladen            |                | N          | —            |
|                     | 5.8            | Max. gradeability, laden/unladen            |                | %          | 15/15        |
|                     | 5.10           | Service brake                               |                |            | Hydraulic    |
| 5.11                | Parking brake  |   |                | Mechanical |              |
| Electric-engine     | 6.1            | Drive motor rating S2 60 min                |                | kW         | 10           |
|                     | 6.2            | Lift motor rating at S3 15%                 |                | kW         | 16           |
|                     | 6.4            | Battery voltage/nominal capacity            |                | V/Ah       | 80V205AH     |
|                     | 6.5            | Battery weight                              |                | kg         | —            |
| Addition data       | 8.1            | Type of drive control                       |                |            | AC           |
|                     | 10.5           | Steering design                             |                |            | Hydraulic    |
|                     | 10.7           | Sound pressure level at the driver's ear    |                | dB(A)      | < 74         |

If there are improvements of technical parameters or configurations, no further notice will be given.  
The diagram shown may contain non-standard configurations.



### RATED CAPACITIES



## Mast Option

| Mast types      | Lift height<br>( h3 ) | Height, Mast                |                           |               | Height, Free lift(h2) |               |
|-----------------|-----------------------|-----------------------------|---------------------------|---------------|-----------------------|---------------|
|                 |                       | Height, mast<br>lowered(h1) | Height, mast extended(h4) |               | No shelving           | With shelving |
|                 |                       |                             | No shelving               | With shelving |                       |               |
|                 | mm                    | mm                          | mm                        | mm            | mm                    | mm            |
| 2-Standard Mast | 3000                  | 2075                        | 3565                      | 4025          | 140                   | 140           |
|                 | 3300                  | 2225                        | 3865                      | 4325          | 140                   | 140           |
|                 | 3600                  | 2375                        | 4165                      | 4625          | 140                   | 140           |
|                 | 4000                  | 2625                        | 4565                      | 5025          | 140                   | 140           |
| 2-Free Mast     | 3000                  | 2035                        | 3565                      | 4025          | 1470                  | 1000          |
|                 | 3300                  | 2185                        | 3865                      | 4325          | 1620                  | 1150          |
| 3-Free Mast     | 4300                  | 2035                        | 4865                      | 5325          | 1470                  | 1000          |
|                 | 4500                  | 2115                        | 5065                      | 5525          | 1550                  | 1080          |
|                 | 4800                  | 2220                        | 5365                      | 5825          | 1655                  | 1185          |
|                 | 5000                  | 2305                        | 5565                      | 6025          | 1740                  | 1270          |
|                 | 5500                  | 2555                        | 6065                      | 6525          | 1990                  | 1520          |
|                 | 6000                  | 2805                        | 6565                      | 7025          | 2240                  | 1770          |

## Option

| No.  | Optional items       | EFL252  |
|------|----------------------|---|
| 1.1  | Fork dimension       | <ul style="list-style-type: none"> <li>○122*40*920●122*40*1070○122*40*1150○122*40*1220</li> <li>○122*40*1370○122*40*1500○122*40*1600○122*40*1700</li> <li>○122*40*1820○122*40*1900○122*40*2000○122*40*2200</li> </ul> |
| 1.4  | Fork carriage width  | ●1040mm○Yes and can be customized   |
| 1.5  | Fork carriage height | ●1025mm○Yes and can be customized   |
| 2.5  | Front wheel material | ○Pneumatic○solid○Non-marking  |
| 2.6  | Rear wheel material  | ○Pneumatic○solid○Non-marking  |
| 2.7  | Battery capacity     | ●80V205AH○80V280AH○80V410AH   |
| 2.8  | Charger              | ●80V35A○80V65A○80V130A○80V200A<br>○80V35A integrated○80V60A integrated  |
| 2.9  | Battery indicator    | ●With time  |
| 2.10 | Seat type            | ○Regular○Premium○Suspension<br>○Suspension+seatbelt logic switch<br>○Suspension seat with armrest(KL01)   |
| 2.11 | Attachments          | ●No○Built-in shifter○External shifter○Fork positioner   |
| 2.13 | Traction pin         | ●Yes  |
| 3.5  | Front lamp           | ●LED  |
| 3.6  | Rear lamp            | ●No○LED   |
| 3.7  | Warning lamp         | ●Yes  |
| 3.8  | Steering lamp        | ●Yes  |
| 3.9  | Blue lamp            | ●No○2 front○1 rear○2 front + 1 rear   |
| 3.10 | Area warning lamp    | ●No○Red, 1 left + 1 right   |
| 3.11 | Rearview mirror      | ●1 in the middle○Add rearview mirror on both sides  |
| 3.12 | Horn                 | ●Yes  |
| 3.17 | OPS system           | ●Yes  |
| 3.23 | Telematics           | ●No○Yes and not customized  |
| 4.3  | Cabin                | ●No○Basic half cabin○Upgrade half cabin○Full cabin  |
| 4.9  | Heater               | ●No○Yes and not customized  |

Note: ● standard ○ option — NA